

LBX



 **LEXUS**
EXPERIENCE AMAZING

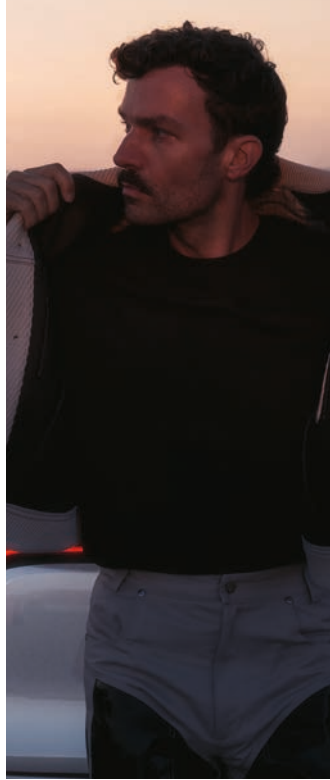
LBX

Lexus has been a leader in luxury car electrification for nearly 20 years. Over 2.5 million Lexus Self-Charging Hybrids are currently on the road across the globe. Cars that stand out for their bold design, sophistication and award-winning quality.

We are proud of this. But for us, performance is more than just numbers, and electrification is more than just batteries and motors. It's the chance to define a new kind of driving pleasure. A pleasure that enhances the everyday, with each journey one of confidence, control and comfort.

Meet the LBX. Our most compact car yet, with an informal character and an engaging drive. The LBX is designed to reflect your lifestyle - the latest proof of our commitment to making the everyday extraordinary. Just drive the LBX and you'll know what we mean.

This is Lexus Electrified.



04.

EVERYTHING BUT ORDINARY

08.

LBX ELEGANT

10.

LBX RELAX

12.

LBX EMOTION

14.

LBX COOL

16.

LBX CONNECTED

18.

MODEL

20.

COLOURS

22.

ATMOSPHERES

28.

FEATURES

34.

TECHNOLOGY

44.

ACCESSORIES

46.

EQUIPMENT

52.

TECHNICAL DATA

54.

BE OUR GUEST

"Aiming to overturn the preconception that 'small is inferior', we have created an electrified luxury car that's sublimely natural to drive with a design that's both elegant and cool."

KUNIHICO ENDO, LBX CHIEF ENGINEER

EVERYTHING BUT ORDINARY

JUST BECAUSE IT'S ALWAYS BEEN THAT WAY,
DOESN'T MEAN IT SHOULD STAY THAT WAY.

With the LBX, we set out to redefine what a compact car can be. But some things don't change (the LBX is a Lexus, after all). So, you'll find bold styling, a refined and engaging drive, a Self-Charging Hybrid* powertrain, and class-defying luxury.

ONE CAR, FOUR ATMOSPHERES

Four distinct atmospheres allow you to choose an LBX that best expresses your personality. The sophisticated subtlety of ELEGANT and timelessness of RELAX, or the vibrant engagement of EMOTION and individuality of COOL.

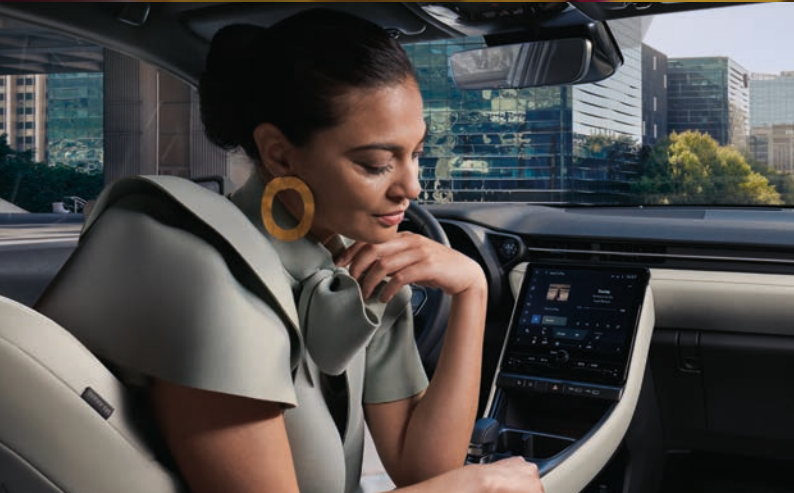
DRIVING DYNAMICS

We designed the LBX's Self-Charging Hybrid powertrain from scratch, in our aim to increase both power and fuel economy. The result is a responsive driving signature that enables full EV driving in urban settings, and great handling on the open road. All without the range anxiety associated with some full EVs. And even though it's the smallest Lexus ever ("compact SUV", to be specific), the LBX packs some serious tech. Driver support systems including Lexus Safety System + take the strain, leaving you to enjoy the ride.

The LBX. It's everything you'd expect from a Lexus.

www.lexus.eu/LBX

* Combining the power of a highly-efficient petrol engine and electric motor(s), Lexus Self-Charging Hybrids charge themselves while you drive, slow down or brake, meaning you never have to plug them in or worry about battery range. Learn more: www.lexus.eu/hybrid





LEXUS

LBX

LBX





HEAD-TURNING ELEGANCE

IT'S THE FUSION OF CRAFT AND TECHNOLOGY THAT MAKES
THE LBX ELEGANT SO SPECIAL.

You appreciate subtle detail, so you'll notice the unified spindle grille - it's clearly a Lexus, but it's new. The low-slung hood which not only looks good but provides a great view for the driver. With its expressive headlamps, the LBX is a determined-looking car. You can see why our designers refer to the LBX's 'resolute' look.

FORM AND FUNCTION

Even the door opening is elegant. An e-Latch system means that one smooth movement, and you're in. Settle into the vegan Tahara seats (in Ammonite Sand or Forest Brown). They not only look the part, they're also designed to keep your posture stable, even when cornering. Climate Concierge provides independent temperature control for front passenger and driver.

It's a smooth operator on the road, too. The LBX may be the most compact Lexus crossover to date, but its extended wheelbase and low centre of gravity provide a ride quality normally associated with larger luxury models. The attention to design is not just on the surface, either. Panels on the underside of the LBX have a dimpled surface (a bit like on a golf ball). Believe it or not, these dimples improve stability when driving.

OMOTENASHI. IN MOTION.

Omotenashi is a Japanese concept of hospitality. It's about anticipating a guest's needs before they do, and it's a guiding principle for us at Lexus. You'll see it in the welcome you receive at our retailers, but also in the technology in the LBX. Like the ability to set the temperature - or defrost the windscreen - from your smartphone. Or the 'wet arm' wipers that remain hidden from view when not in use, and which stop operating when either front door is opened to prevent spray when entering or leaving the car. Or the clearance lamps that remain illuminated for 15 seconds after locking or unlocking the doors.

We could go on. And on.

But we think you'll want to discover the LBX for yourself.

REST. ASSURED.

LBX RELAX BRINGS A SENSE OF WELL-BEING TO ANY JOURNEY.

The single-coloured dynamic body work. The satisfying sound of the door closing. The semi-aniline leather upholstery with Tatami stitching. The LBX Relax is a calming place to begin any journey. A driver-centric Tazuna cockpit keeps all controls within easy view and reach, whilst rear passengers benefit from elevated seating - everyone enjoys a commanding and uninterrupted view. Even the air is purified - the Climate Concierge with nanoe™ X technology¹ helps inhibit harmful substances whilst providing deodorised and moisturised air to care for your skin.

QUIET - UNLESS YOU WANT IT LOUDER

When it's time to move, the Lexus Self-Charging Hybrid powertrain enables electric-only driving in urban settings, keeping air and noise pollution in check. Active Noise Control and class-leading vibration-suppression enhance the peace of the cabin. Silence that won't be broken unless you want it to be. For when your journey needs a soundtrack, the 13-speaker Mark Levinson® Premium Surround Sound System is more than up to the task. Whatever your vibe, you'll be immersed in flawless, balanced audio.

RELAX - YOU'RE IN GOOD HANDS

The LBX does all it can to ensure a relaxing drive. The latest-generation Lexus Safety System + provides driver support, constantly monitoring the road ahead, alerting you of danger and taking action where required. Even when you reach your destination, other road users are cared for: Safe Exit Assist prevents doors from opening when cyclists are approaching from behind.

STRESS-FREE MANOEUVRES

Its compact size means the LBX has great agility. But for easier driving in confined spaces, the Panoramic View Monitor creates a virtual 3D image of the car to help with very precise manoeuvring. And if parking is not your thing, the LBX also includes a Remote Parking system for mobility in really tight spaces.

You'll arrive as relaxed as when you set off - looking forward to your return.

Discover LBX Relax standard specifications and options on pages 46-51.

¹ nanoe™ and the nanoe™ X marks are trademarks of Panasonic Holdings Corporation.









ENGAGE YOUR EMOTIONS

LBX EMOTION ENSURES EVERY JOURNEY IS AN ADVENTURE.

With black vegan Tahara upholstery and red Tatami stitching, the cabin of the LBX Emotion is a theatrical setting for the ambient lighting. And what a display! Settle back and choose one of 14 distinctive preset themes - they're designed to express the emotions provoked by beautiful natural phenomena. And if you prefer to direct your own lighting, you've got it. With 64 colours to choose from.

BUT WHAT IS BEAUTY WITHOUT PRACTICALITY?

Despite its compact size, the LBX has ample knee space for the driver - more than you'll find in its competitors.

Choose a driving mode - Normal or Eco - and the LCD display will adapt, showing relevant information instantly. The optional E-FOUR system uses battery power to drive both front and rear motors, distributing torque to suit the driving conditions. You can be confident of making a perfect entrance. Or exit.

The trunk is already a decent size, with space for two 75-litre suitcases. Take advantage of the 60/40 rear seat split, and you can move some serious loads.

HEY, LEXUS!

The LBX's voice recognition is quite something. Not only can it recognise a user's voice - even if you're listening to music - it also detects where a voice is located and follows commands based upon this. Your front passenger needs air? If they ask "Hey Lexus, open the window" from the front passenger seat, their window will be opened. And as a driver, you have complete control without taking your hands off the wheel.

Nor will you want to - for the LBX is engaging and fun to drive. Its rigid body and low centre of gravity hold the road confidently. Driver assistance, like Hill-start Assist, is there when you need it.

We can't promise you'll go unnoticed in the LBX, but don't worry - privacy glass is available.

STEP OUT IN STYLE

CELEBRATE YOUR INDIVIDUALITY WITH THE LBX COOL.

Bi-tone bodywork in a choice of contemporary colours highlights the agile stance of the LBX Cool. 18-inch alloy wheels with a machined finish provide complete kerb-appeal. All this before you take your place behind the hand-stitched steering wheel.

LUXURY THAT LIBERATES

A range of LBX interior styles, tones and textures further express your unique style. In the LBX Cool you'll find black leather and suede upholstery featuring distinctive embroidery. Customisable lighting creates an ambience to suit your mood - a mood enhanced by the driver-centric Tazuna cockpit. A minimalist instrument panel with wide Head-Up Display and 12.3" LCD screen adds to the sense of spaciousness.

POWER THAT ENGAGES

The LBX Cool is by no means style over substance. As in all LBX, the Lexus Self-Charging Hybrid powertrain is entirely redesigned to balance environmental and driving performance. The engine's light weight and low centre of gravity contribute to excellent dynamics. Even the driving experience is customisable: the LBX Cool features Sequential shiftmatic gear changing, with steering wheel mounted paddle shifters giving you total control. And if you prefer the ease of fully automatic transmission, it's yours - ensuring an efficient yet exhilarating drive.

INTEGRATION THAT WORKS

As you'd expect, wireless Apple CarPlay integration comes as standard. But that's not all. A digital key (compatible with both Apple and Android devices) allows you to lock, unlock and start your LBX from your smartphone without taking it out of your pocket or bag. Simply share your digital key to allow friends access to your LBX.

The LBX Cool may be a compact car, but it's big on style.





WELCOME TO LEXUS LINK

INTELLIGENT CONNECTIVITY KEEPING YOU IN CONTROL.

Luxury isn't just about the tactile elements of the LBX. Luxury is also the peace of mind that comes from knowing you will reach your destination on time, in the most enjoyable, stressfree way. A suite of digital services in the LBX ensures this is the case. We call it Lexus Link Multimedia. A touchscreen with seamless smartphone integration, advanced voice recognition, and the Lexus Link+ app combine to provide in-car and out-of-car services.

INTUITIVE 9.8" TOUCHSCREEN

The responsive 9.8" touchscreen is at the heart of Lexus Link Multimedia. Navigation, audio and climate control are within easy reach. Needless to say, you can also display your smartphone* apps via Android Auto™ or wireless Apple CarPlay®.

LEXUS VOICE ASSISTANT

Lexus Voice Assistant understands natural language and the context of statements. Feeling chilly? Just say "I'm cold" and the heating will be adjusted. Want something to drink? Say "I'm thirsty" and Lexus Voice Assistant will guide you to refreshment. Without taking your hands off the wheel, Lexus Voice Assistant allows you to control navigation, audio and vehicle climate.

LEXUS LINK+ APP

Even when you're not in your LBX you're always in touch with it. The Lexus Link+ app will notify you if a window is left open or the headlights on, and even guide you back to your LBX. Defrost the windscreen - or preset the cabin temperature - before you even unlock the doors (which, you won't be surprised to learn, you can also do via Lexus Link+). Analytics help you track your journeys and improve the efficiency of your driving; even servicing can be scheduled from the comfort of your home, office... or anywhere you like.

* Compatible smartphones only.

LBX

Giving you comfort and confidence in every driving situation, the LBX's Lexus Self-Charging Hybrid seamlessly orchestrates power from a 1.5-litre petrol engine and electric motor(s), delivering 136 DIN hp or 100 kW. The result is 0-100 km/h acceleration in a dynamic 9.2 seconds, alongside outstanding efficiency, with CO₂ emissions of 100-113 g/km* and fuel consumption of 4.4-5.0 l/100 km*. And because the system recharges as you drive, coast or brake, you'll enjoy the range freedom of our latest Lexus Self-Charging Hybrid technology. The LBX is tuned to be fun, whether around town or on winding country roads, with faithful handling and a linear yet responsive acceleration.

01. A NEW GENERATION OF LEXUS SELF-CHARGING HYBRID

The LBX is powered by a new-generation Lexus Self-Charging Hybrid featuring a compact and lightweight 1.5-litre three-cylinder engine. The principal hybrid system components are newly designed, including the transaxle and power control unit, to improve efficiency, reduce losses, save weight and reduce size. There is also a new low-resistance, high-output, bi-polar nickel-metal hydride (NiMH) battery. Technology developments have allowed us to attain a high level of driving pleasure. Maximum output from the full hybrid system is 136 DIN hp/100 kW with peak torque of 185 Nm.

02. 1.5-LITRE ENGINE WITH WORLD-CLASS EFFICIENCY

The 1.5-litre three-cylinder engine operates with world-class thermal efficiency, supported by high-speed combustion technology and design features such as straight intake ports and laser-cut intake valve seats. Other key elements include ultra-lightweight pistons engineered for operation at high rpm and electronic intelligent variable valve-timing.

03. NiMH BI-POLAR BATTERY

The LBX's newly developed nickel-metal hydride battery is a lightweight bi-polar unit with a compact design. It delivers higher output with quicker power delivery and energy recuperation. As a result, it enhances both your car's fuel efficiency and dynamic performance. Newly developed and sized for the LBX and installed under the rear seats, this battery technology contributes to both the spacious interior and the excellent performance.

04. POWER CONTROL UNIT (PCU)

Mounted directly above the transaxle, this compact new PCU enables a low-bonnet design which improves aerodynamics and reduces fuel consumption. Whilst compact dimensions and less weight result from circuit board downsizing, the new unit features reduced power losses and enhanced cooling efficiency.

05. NEWLY DESIGNED TRANSAXLE

The powertrain also features a newly designed transaxle. The revised power control unit is mounted directly above the transaxle, a design which helps give the LBX a low bonnet line. Further space is saved by the two motor-generators being located on separate shafts, reducing the drivetrain's overall length and with this, the turning circle.

06. E-FOUR ALL-WHEEL-DRIVE

The LBX's authentic SUV quality includes the option of our E-FOUR all-wheel-drive, which introduces an additional electric motor on the rear axle. When pulling away, cornering and driving on low-grip surfaces, the system automatically directs drive force to the rear wheels, helping keep the car stable and maintaining driver confidence.

* WLTP figures. For more information regarding the new WLTP test method, please visit: www.lexus.eu/wltp#nedc





COLOURS | EXTERIOR

SONIC WHITE | 085



SILVER | 1F7



CEMENT GREY | 1H5



SONIC GREY | 1L1



BLACK MICA | 209



SONIC COPPER | 4Y5



RUBY | 3U5



PASSIONATE YELLOW¹ | 5A3



DARK BLUE | 8W7



**SONIC WHITE /
ASTRAL BLACK²** | 2YM



**SILVER /
ASTRAL BLACK²** | 2LB



**CEMENT GREY /
ASTRAL BLACK²** | 2YN



**SONIC GREY /
ASTRAL BLACK²** | 2YH



**RUBY /
ASTRAL BLACK²** | 2TB



**SONIC COPPER /
ASTRAL BLACK²** | 2YF



**PASSIONATE YELLOW /
ASTRAL BLACK²** | 2PQ



**DARK BLUE /
ASTRAL BLACK²** | 2VT



¹ Solid colour.

² Bi-tone bodycolours are standard on Emotion and Cool atmospheres, and not selectable on any other grades. Astral Black is a solid colour.

Please note: due to printing variances, actual paintwork colours may vary slightly from those illustrated.

LBX

Created to be enjoyed in Europe's colorful and fast-moving cities, the LBX entry model is a super intelligent way to drive the most compact Lexus ever built. Equipped with breakthrough technologies like Lexus Safety System +, it can also be specified with a vegan-friendly fabric interior.



FABRIC



Greyscale

ELEGANT

The LBX ELEGANT will turn heads in the city with its 18" glossy alloy wheels and Takumi-polished paintwork. Inside, the beautifully crafted cabin boasts vegan Tahara with subtle Forest Brown or Ammonite Sand tones on the door panels, seats, instrument panel and console pads.



VEGAN TAHARA



Ammonite Sand



Forest Brown

EMOTION

There's nothing more powerful than emotions, so embrace the LBX EMOTION model and discover features like 18" machined alloy wheels and bi-tone paintwork. Inside you'll love the Takumi-crafted perforated vegan Tahara upholstery, with red accents and contrast stitching on the seats, centre console and door trim.



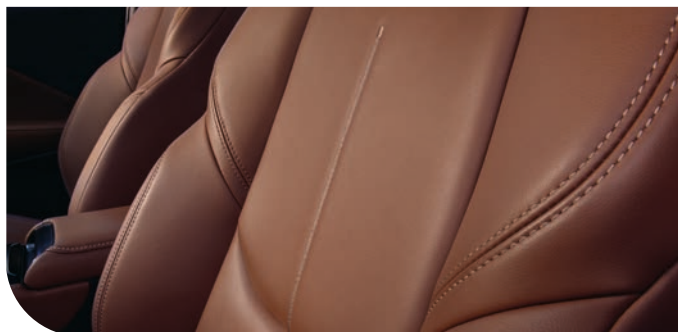
PERFORATED VEGAN TAHARA



Black

RELAX

Beautiful to drive, the LBX RELAX models sport an eye-catching paint finish and glossy 18" alloy wheels. Inside there is a choice of Saddle Tan or Black semi-aniline leather with distinctive Tatami stitching.



SEMI-ANILINE LEATHER



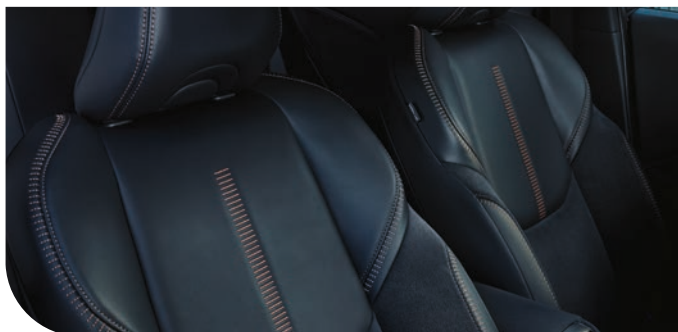
Black



Saddle Tan

COOL

The LBX COOL models stand out with their bi-tone paintwork and 18" machined alloy wheels. This car features a leather-trimmed ultrasuede bi-tone black/dark grey interior with copper details and stitching that create a wonderful feeling of quality.



LEATHER-TRIMMED ULTRASUEDE



Black & Dark Grey



LBX



Performance

TUBELESS

PASSED

LIN

235

077



17" FOR LBX



Lean and dynamic, this dark grey alloy wheel features V-shaped spokes and 225/60 R17 or 215/60 R17 tyres*.

18" FOR ELEGANT AND RELAX



With an angular sculpted design and dark grey gloss finish, this head-turning wheel has 225/55 R18 tyres.

18" FOR EMOTION AND COOL



Finished in dark grey for a sporty look, this machined double-spoke alloy is equipped with 225/55 R18 tyres.

17" ACCESSORIES



Dynamic and finished in chrome, this 17" 5-double-spoke alloy wheel has 225/60 R17 or 215/60 R17 tyres*.

17" ACCESSORIES



With a machined 5-double-spoke design, this distinctive black 17" alloy wheel has 225/60 R17 or 215/60 R17 tyres*.

18" ACCESSORIES



Finished in sporty machined black, this 5-double-spoke 18" wheel is fitted with 225/55 R18 tyres.

* Only 215/60 R17 tyres are compatible with snowchains.

01. RESOLUTE DESIGN

The LBX grille features a single trapezoid shape, positioned below a narrow aperture that runs beneath the leading edge of the bonnet, linking the sleek headlights. This front face design draws on the heritage of our “Resolute Look”. Introduced with the LF-S concept car of 2003, this became a signature styling cue for Lexus production models from the early 2000s onwards.

02. ATHLETIC SPINDLE GRILLE, ELEGANT BONNET

The LBX has a new frontal arrangement that “breaks” the spindle grille – a design hallmark of the past decade. Koichi Suga, General Manager Lexus Design, explains: “In ‘deconstructing’ the spindle grille to make way for a new design, we’ve succeeded in creating a fresh new front identity that’s completely different from before, yet is instantly recognisable as a Lexus.” In addition, the front pillars have also been pulled back, making the cabin appear compact and the bonnet longer and more elegant for a sporty profile.

03. FLARED WINGS / 18" WHEELS

The flared wings express power and accentuate the large 18" wheels/tyres, while short overhangs and a bold tightening of the area around the rear doors evoke nimble, dynamic performance.

04. “FLOATING ROOF” DESIGN, BLACK REAR PILLAR

While the exterior dimensions are more compact than any other Lexus, the look is muscular and powerful. Lending the LBX a sleek and aerodynamic profile, the black rear pillar underscores the car’s dynamic look.

05. LEXUS REAR BLADE LIGHT

The rear emphasises the strong stance. The licence plate has been integrated into the bumper so that the LEXUS signature lettering is more prominent on the clean expanse of the tailgate. Similarly, to the rear, a stylish new Lexus signature blade light, with a distinctive L-shaped lighting design, spans the entire width of the LBX and underlines the car’s shape, while the wider track emboldens the road presence.

06. FUTURISTIC BI-TONE ROOF FINISH

The exterior colour choices include vivid shades and our deep-lustre sonic finishes. The EMOTION and COOL versions of the LBX can be specified with bi-tone paintwork, combining any colour option with a contrasting black roof.

07. e-LATCH

Inspired by the grace of Japanese Shoji doors and available on the LBX, e-Latch is a switch-activated and powered door release system that allows you to open your door in one smooth movement.

08. POWER TAILGATE

Operating smoothly and quietly, the LBX’s newly developed power tailgate can be closed automatically using a switch on the bottom of the door. Control switches are also located on the instrument panel and the smart key, which lets you remote control the tailgate.

09. MOCHI-INSPIRED DESIGN

For the LBX, Lexus designers looked for ways to emphasise and visualise the compact SUV’s low centre of gravity. Here they were inspired by the traditional “Kagami-mochi” rice cake sweets that are offered to the gods in Japan every New Year. More specifically, by placing a compact cabin on top of the powerful underbody, and clearly defining the torso and cabin, the centre of gravity appears to move downward.



01. TAZUNA COCKPIT

To make the Lexus cockpit even more driver-centred, we developed the Tazuna design concept. Taking its name from the Japanese word for 'reins of a horse', Tazuna focuses on direct yet intuitive control. In the LBX, the Tazuna concept is enhanced with a 12.3" fully digital instrument display, featured in a Lexus for the first time. Thanks to the LBX's compact size, almost every inch of the car can be seen from the steering wheel, adding to the confidence, comfort and control the driver enjoys. An optional Head-Up Display is also available.

02. SCULPTED STEERING WHEEL

As the steering wheel and gearshift can significantly affect the driving experience, designers worked together with a Lexus 'Takumi' craftsman to thoroughly refine these points of contact. For the steering wheel, special focus was placed on the shape and cross section to give an excellent feel and enhanced steering stability. The thumb rests and touch-sensitive switches were also finely crafted.

03. FUTURISTIC CABIN DESIGN

Our designers sought to create a simple and refined interior that creates the feel and atmosphere experienced in every Lexus. To help maintain a wide, clear view, the horizontal instrument panel has a clean and simple design. At each side, its form flows into the door panel, giving a sense of wrapping around the front seat occupants, so the feel is expansive yet encompassing. The continuous line created by this design also helps the driver sense the degree of vehicle roll around bends. A low hip-point adds to the feeling of being at one with the car, while ample front knee-space is provided. To ensure a good view outside for everyone on board, the rear seats are set slightly higher than those at the front.

04. CENTRE CONSOLE

The centre console has a strong presence with the large multimedia touchscreen tilted back so that it integrates smoothly with the structure. The unit has upholstered side pads and houses two cupholders, multiple storage points and USB ports for device connection and charging.

05. FLEXIBLE REAR SPACE

The LBX offers both ample luggage space and luxury. Thanks to newly designed seats and more intelligent packaging, the LBX feels surprisingly roomy inside. With a low loading height, the boot is easy to use.

06. CLIMATE CONCIERGE

The climate concierge intelligently adjusts the cabin climate according to ambient conditions, ensuring excellent fuel economy and optimal comfort for the driver and front-seat passenger.

07. OMOTENASHI WELCOME

As you open the driver's door, the LBX's instruments display the vehicle silhouette and welcome you by name. When you depress the brake pedal, the Power button begins to gently pulsate, the cockpit comes to life with graphics and sounds coordinated across the instruments, while the Head-Up Display and 9.8" touchscreen direct your attention to the road ahead.

08. LUXURY MATERIALS / LEATHER-FREE INTERIORS

The premium quality and attention to detail is witnessed in a choice of upholsteries and trims with strong visual and tactile appeal. As well as top-quality leather, a significant highlight of the LBX is the availability of selected vegan leather-free interiors. On the LBX, ELEGANT and EMOTION atmospheres, the steering wheel and shift-knob are covered with high-quality Tahara trim. You can choose leather free interiors in Black, Ammonite Sand or Forest Brown and Greyscale fabric on the LBX. The LBX also features new Tsuyusami charcoal trim inlays, created by a new film technique that uses multiple layers to give a highly textured appearance with a sense of depth.

09. AMBIENT MOOD SELECTOR

Ambient lighting adds to the Omotenashi effect of people being made welcome and feeling completely at home in the car. Highlighting different parts of the cabin, the lighting design provides a range of 64 colour options, curated in themes that evoke different moods. The colours aim to provide a spirit of hospitality and include themes such as: Healing; Relaxing; Arousing; Focusing and Exhilarating.



01-02-03-04



05



06



07



08



09

01. LARGE 9.8" TOUCHSCREEN

Perfectly positioned for relaxing interaction while you drive, this 9.8" touchscreen is one of the largest available in this category of car and allows you to access information like navigation, audio and climate control.

02. "HEY LEXUS" VOICE ASSISTANT

Artificial Intelligence and the cloud work together in the clever Lexus Voice Assistant, which spares you grappling with buttons while you're concentrating on the road ahead. This newly developed "Hey Lexus" voice assistant understands natural language and the context of statements such as "I'm hungry" or "I'm cold" and can even recognise which front passenger is speaking. You can also customise your trigger name or ask the Lexus Voice Assistant to perform tasks like opening a window.

03. SMARTPHONE INTEGRATION

With Android Auto™ or wireless Apple CarPlay®, the LBX allows you to easily display and access many of your smartphone's apps on the 9.8" touchscreen display.

04. NEW SMART DIGITAL KEY*

One less thing to misplace, our secure and convenient Smart Digital Key integrates all Lexus smart key functions into the Lexus Link + app on your smartphone. Kept in your pocket or bag, it lets you smoothly unlock/lock and start your car and can be shared remotely between up to five people.

05. LEXUS LINK CONNECTED SERVICES

Welcome to the Lexus Link + app, a new world of connectivity created to complement our unique 'Omotenashi' service experience. Its smart and intuitive features help you plan a journey, find a parking space, schedule a service or even improve your driving style. Transform your time with the LBX, using services like:

- Driving Analytics: Tracks your journeys, driving style and lets you record business trips
- Hybrid Coach: Helps you drive your LBX more efficiently
- Find my Car: Locates and guides you back to your Lexus
- eCare: Lets you manage the service and maintenance of your LBX
- Warning Lights: Explains the meaning of each warning light and any action you should take
- Car status: Notifies you if you've left the car windows open or forgotten to switch off the headlights. You can also check if your car is locked
- Battery Guard: Monitors the charge level of your car's 12V battery
- Remote Control: Remotely defrost your windscreen or lock and unlock your LBX, from the comfort of your home

06. LEXUS LINK PREMIUM CONNECTIVITY

As an LBX owner, you enjoy all the benefits of the Lexus Link Premium Connectivity pack. It includes features such as:

- Cloud-based navigation & Voice Assistant
- Road Events & Real Time Traffic information
- On- and off-street parking availability
- Remote Climate: Remote control of air conditioning, steering wheel heating, seat heating and adjustment of the cabin temperature

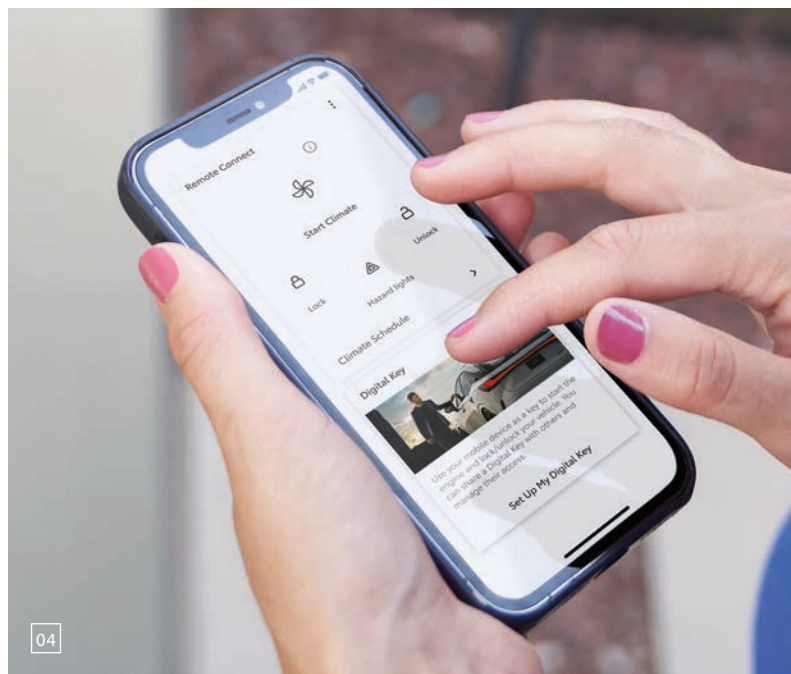
07. OTA UPDATES

In common with new Lexus models, the LBX offers seamless over-the-air software updates for its multimedia and safety systems, so owners can benefit from upgrades without having to organise a visit to a Lexus Centre.

08. ONLINE SERVICES

To enhance your driving experience, web services such as online traffic, on-street & off-street parking real-time availability, weather forecasts and access to your web browser are all provided.

* We will introduce the Smart Digital Key in 2024. Feature availability and vehicle specification may vary among models, grades and according to market availability.



01. WIDE HEAD-UP DISPLAY

Vehicle data is projected in colour directly onto the windscreen. The Head-Up Display lets you check navigation, safety features, information and audio settings without taking your eyes off the road. Operation is easy, thanks to touch switches on the steering wheel.

02. 12.3" DIGITAL INSTRUMENT DISPLAY

The Tazuna concept is enhanced further with the LBX's new, 12.3" fully digital instrument display, featured in a Lexus for the first time. The layout and prominence of the meters and information change according to the drive mode selected and can be customised.

03. QUIET AND PERFECT SOUND

While ensuring Lexus-like quietness inside the cabin with sound-damping and vibration reduction measures, our sound engineering team created sounds to add a sense of power and performance. They also perfected the luxury car door sound.

04. 6-SPEAKER AUDIO

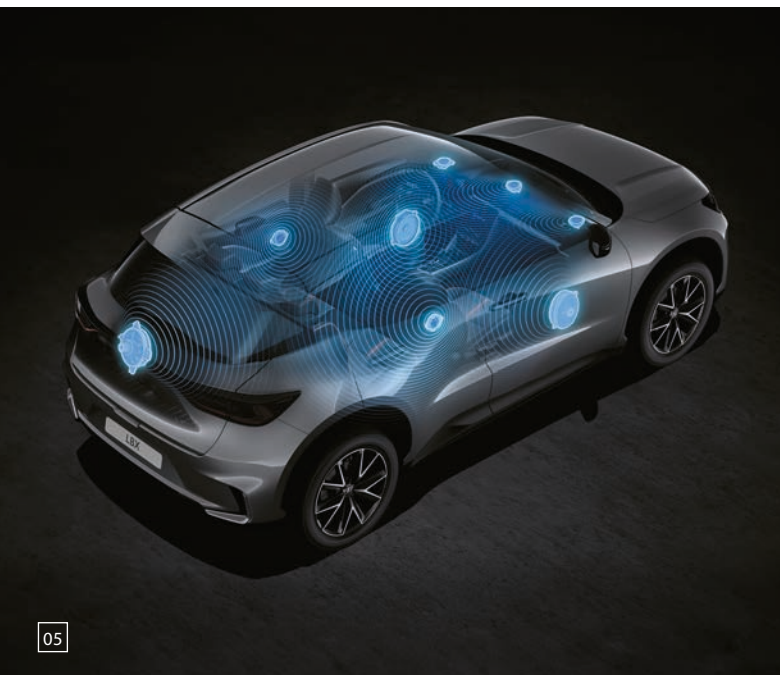
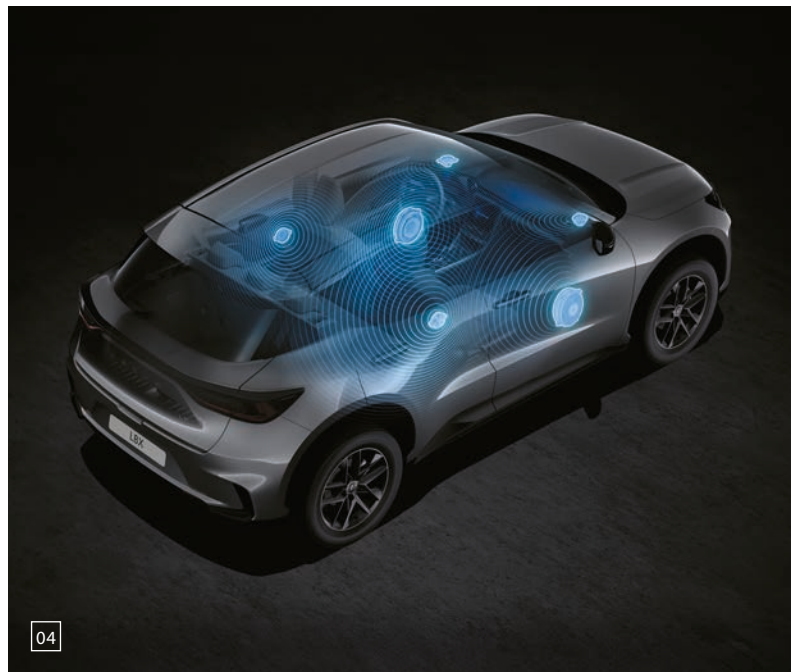
Creating sublime high-end sound and crisp tones, a high-quality 6-speaker audio system is available on the LBX. Speakers achieve a rich tone, enabling clear and vivid vocal playback.

05. 13-SPEAKER MARK LEVINSON®

The near-silent LBX cabin provides the perfect setting for the custom-engineered new 13-speaker Mark Levinson® Premium Surround Sound audio. Developed by our exclusive audio partners, the system is optimised for the car's interior architecture. Delivering a peerless 7.1-channel home-theatre experience using a new 3D Surround Mark Levinson® Surround System and Quantum Logic Immersion, ClariFi analyses the compressed sound source and complements lost data for exceptional sound quality. Enhancing the concert hall experience even further, a subwoofer in the luggage compartment produces rich and powerful sound, vividly expressing the atmosphere and contour of the original music.

06. WIRELESS CHARGER / USB SOCKETS

You can charge compatible smartphones or other electronic devices using the inductive wireless battery charger conveniently positioned in the centre console. To keep your devices charged and connected, the LBX has up to 5 USB-C sockets.



01. THE LATEST GENERATION LEXUS SAFETY SYSTEM +

The LBX benefits from the advanced active safety and driver assistance systems featured in the latest generation of Lexus Safety System +, with upgraded and additional functions offering increased accident risk detection. These include a Driver Monitor to check drivers for signs of fatigue or distraction and Proactive Driving Assist with steering assist, which uses the front camera to determine the angle of a bend, adjusting the steering force when approaching a turn.

02. PRE-COLLISION SYSTEM

Alongside detecting motorcycles during daytime, the enhanced Lexus Pre-Collision System allows more potential collisions to be avoided, such as at left/right turns, and cut-in traffic. It can also recognise collision risks with oncoming traffic or crossing pedestrians when making a turn at a junction. The ability to avoid impacts is increased by Emergency Steering Assist.

03. DYNAMIC RADAR CRUISE CONTROL

This system uses a millimetre-wave radar sensor and camera to detect the vehicle in front and maintain an appropriate distance. If the vehicle in front comes to a halt, the LBX will stop too. When the vehicle moves off again, you will too. It quickly recognises traffic cutting in front and, in conjunction with Lane Tracing Assist, follows a more natural line through bends.

04. EMERGENCY STEERING ASSIST

Should you try to avoid a pedestrian close to or in your driving path when a collision is imminent, Emergency Steering Assist will support your steering movements to enhance the car's stability and prevent accidental lane departure.

05. PROACTIVE DRIVING ASSIST WITH ACTIVE STEERING ASSIST

Equipped with our latest Obstacle Anticipation Assist system, the LBX's pioneering new Proactive Driving Assist with Active Driving Assist technology monitors road users and objects ahead, and proactively controls brakes and steering to keep a safe distance from them. Additionally, Deceleration Assist helps you when releasing the accelerator before a bend or preceding vehicle, allowing for smoother and safer deceleration. The system also detects curves ahead and adjusts the steering assist force to facilitate safe and precise steering.

06. LANE TRACING ASSIST

Advanced Lane Tracing Assist helps keep the LBX in the centre of the lane, uses 'natural lane trace' functionality and also provides assistance when driving around bends.

07. ROAD SIGN ASSIST

Road Sign Assist (RSA) recognises traffic signs and provides information to the driver via the multi-information display. When linked to Dynamic Radar Cruise Control, the car's speed can be adjusted according to the speed limit recognised by RSA.

08. EXTENDED SAFETY PACKAGE

While Lexus Safety System + is fitted as standard on all European models, an Extended Safety Package offers selected semi-autonomous driving features. These include the new Lane Change Assist and Front Cross Traffic Alert. On motorways, with activation of the turning signal as a cue, the latter allows the LBX to perform automatic lane change using Dynamic Radar Cruise Control. Front Cross Traffic Alert assists in making driving safer at intersections by detecting approaching vehicles from left or right which might be hidden in blind spots and warns the driver via the Head-Up Display and the central multimedia display.

09. AUTOMATIC HIGH BEAM

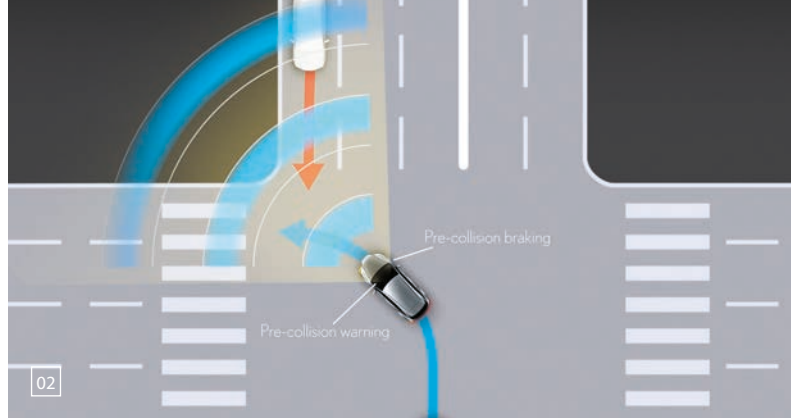
Automatic High Beam (AHB) detects oncoming vehicles at night and automatically dips the high beam headlights, reducing the danger of accidentally dazzling other drivers and allowing you concentrate on the road ahead.

10. ADAPTIVE HIGH-BEAM SYSTEM

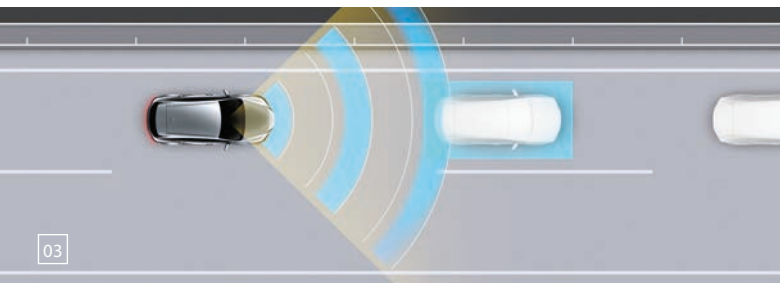
The optional Adaptive High-beam System (AHS) helps prevent the LBX from dazzling other road users. AHS uses a camera sensor on top of the windscreen to detect light from vehicles in front and automatically optimises the headlamp light distribution so as not to directly illuminate preceding or oncoming vehicles. Twelve independent LED chips in the headlights are enabled/disabled for precise control of the illuminated and non-illuminated areas.

LEXUS SAFETY SYSTEM +

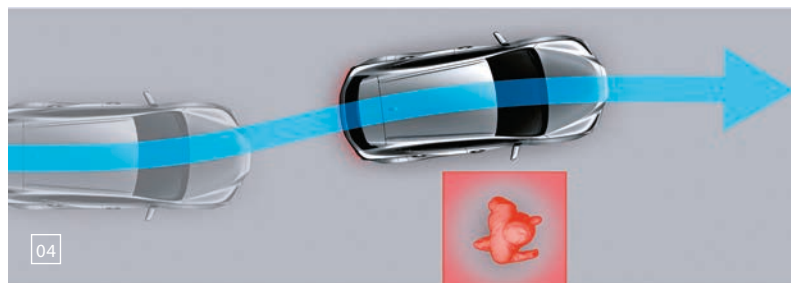
01



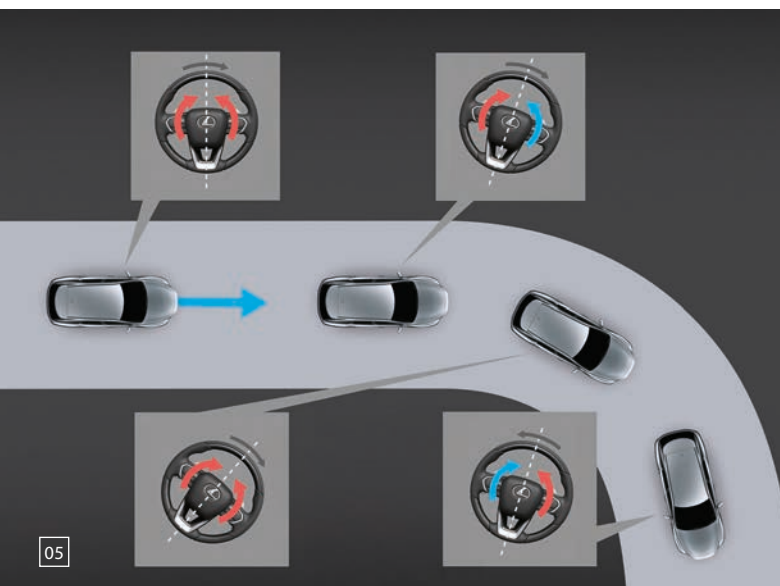
03



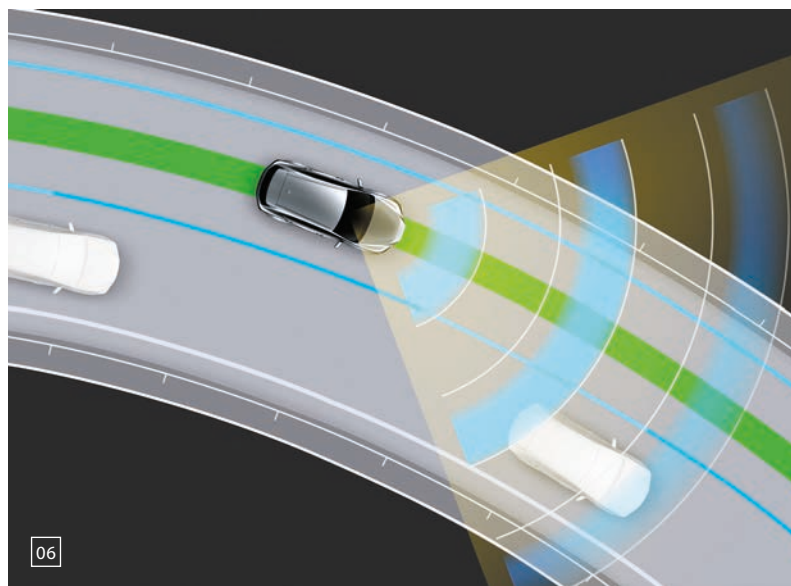
04



05



06



07



08



09



10



01. DRIVER MONITOR

Driver Monitor uses a camera mounted above the LBX's steering wheel to constantly check the condition of the driver. The system is even able to slow or stop the car if the driver fails to react to alerts.

02. DIGITAL PANORAMIC VIEW MONITOR

For easier driving in confined spaces, the Digital Panoramic View Monitor provides a live 360° view around and pre-recorded view under the car. It also creates a virtual 3D image of your LBX, showing the car as if seen from above, with on-screen guides to assist close-quarter manoeuvring. It includes the following features:

- Side Clearance View lets you check the clearance when passing another vehicle on a narrow road
- Cornering View helps avoid mounting curbs when cornering
- Front Cross Traffic Alert warns of approaching vehicles and obstacles at the front and sides of the car
- Pre-Collision System & Parking Support Brake warns of a possible collision and will even take preventive action
- A view under the LBX helps you drive safely on rougher surfaces

03. BLIND SPOT MONITOR

Blind Spot Monitor detects compact SUV in adjacent lanes that are not visible in the door mirrors up to 70 metres behind your LBX. If the driver indicates to change lane and a vehicle enters the blind spot, a warning signal appears in the relevant door mirror.

04. REAR CROSS TRAFFIC ALERT

Rear Cross Traffic Alert helps avoid parking collisions during low-speed reversing. The system monitors the area at the rear of the LBX and adjusts speed if it judges there is a possibility of contact with a vehicle. When necessary, the system alerts you with a buzzer, a warning on the 9.8" display and door mirrors and will even brake if required.

05. ADVANCED PARK / REMOTE PARK

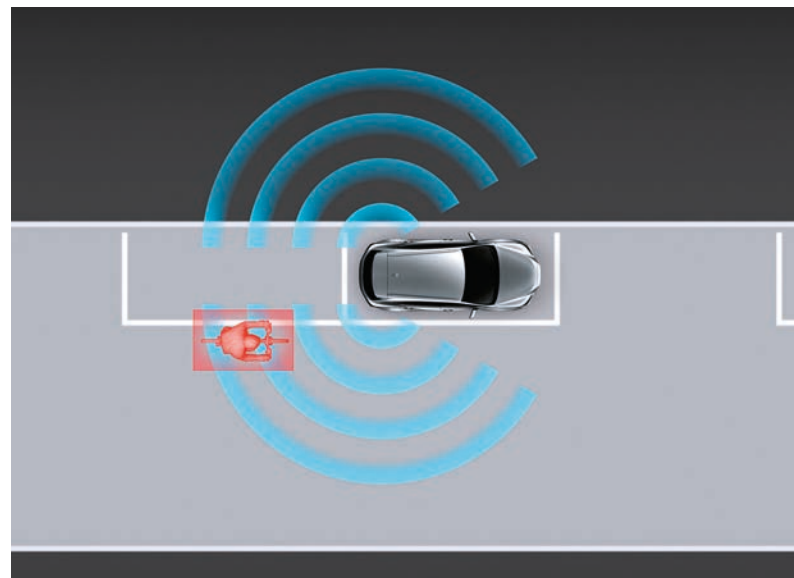
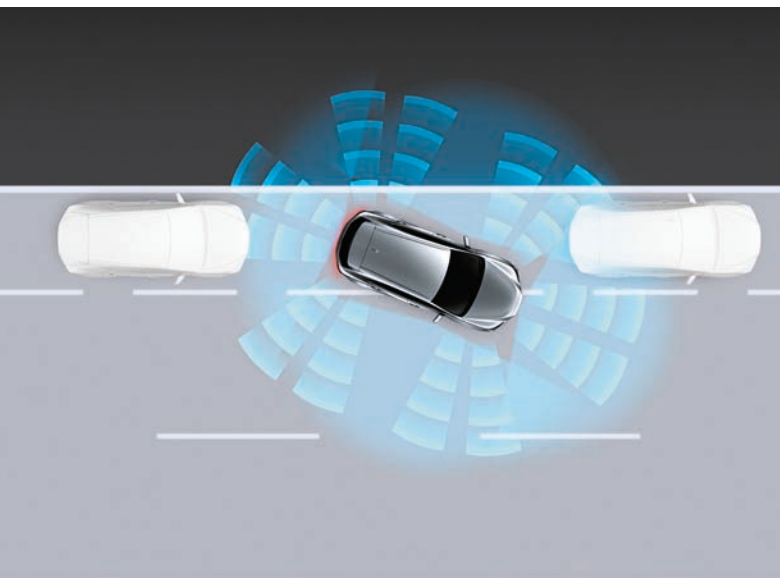
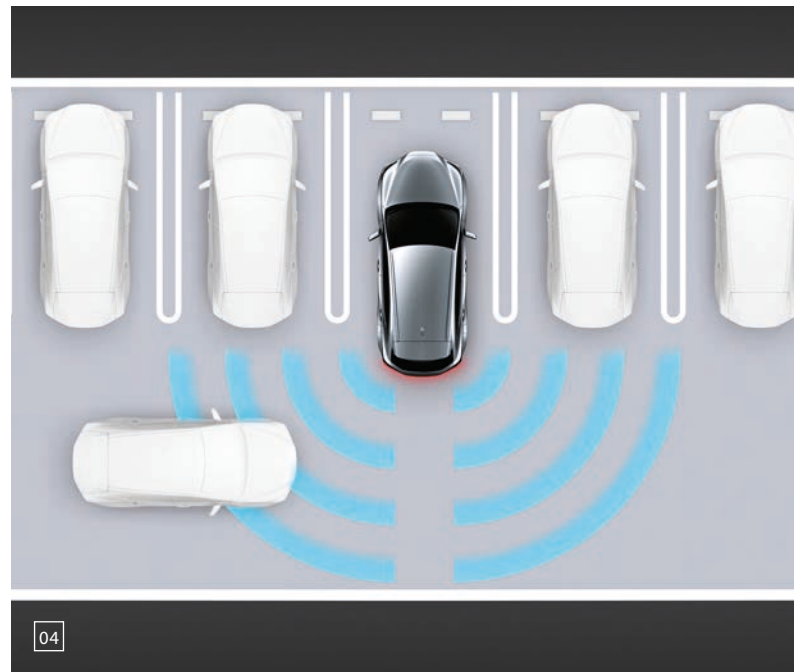
Providing automated control of steering, power and braking, Advanced Park takes the stress out of parking your LBX. For extra convenience, Remote Park lets you to do even more. With it, you can maneuver your car into and out of tight spaces whilst you look on from outside. Using your smartphone to steer, the system's excellent controllability allows for smooth, safe and collision-free parking.

06. SAFE EXIT ASSIST

The LBX's e-Latch electronic entry and exit system is linked to the car's Blind Spot Monitor. The exclusive Safe Exit Assist function prevents occupants (front and rear) from opening their door in the event of traffic such as cars or cyclists approaching from the rear. Lexus estimates this system can help prevent more than 95% of the accidents caused by door opening.

07. 8 SRS AIRBAGS

In addition to an immensely strong passenger safety cell, occupant protection is enhanced by 8 SRS airbags: a dual-stage airbag and knee airbag for the driver; single-stage airbag for the front passenger; centre airbag to reduce contact between the driver and front passenger; side airbags on the front seats and curtain shield airbags that run the full length of both cabin sides.



01

02

03

04

05

06

01. EXTREMELY STRONG PLATFORM

The LBX uses our GA-B platform that has been enhanced to give it the core benefits of a low centre of gravity, wide tracks, short overhangs and a highly rigid body. It is also the foundation of the car's fun-to-drive character, helping secure the Lexus Driving Signature in the most compact package yet. This helps create a natural dialogue between driver and car that ensures confidence, control and comfort.

02. LIGHTWEIGHT ENGINEERING

The body is strengthened with structural adhesives and short-pitch welding, and strategic placing of bracing and reinforcements. At the same time, vehicle weight has been kept down with lightweight materials, including an aluminium bonnet and moulded resin wheel arches, rockers and lower door sections. Strong yet light hot-stamped materials are used in the centre pillars and bumper reinforcement.

03. DYNAMIC URBAN DRIVING

Our engineers have created a compact SUV that is nimble in the city with instant accelerator response and fast pick up. A car with excellent handling and stability in curves, that is easy, smooth and safe to drive, even in heavy city traffic. Setting the hip-point as low as 285 mm helps make the driver feel more at one with their car, while maintaining an excellent view from the wheel, particularly when driving in city traffic.

04. ADVANCED SUSPENSION

Front and rear suspension systems are designed for high rigidity and light weight, giving the LBX agile, stable cornering and steering response with smooth ride comfort. All versions feature a MacPherson strut design at the front; front-wheel drive models use a rear torsion beam while the all-wheel drive LBX has a double-wishbone arrangement.

05. EXCELLENT AERODYNAMICS

The LBX boasts excellent aerodynamics, thanks to a near-flat underbody and extensive wind tunnel testing. To refine airflow even further, Lexus designers and engineers worked on the shape of the lower front spoiler, airflow in the wheel arches, the shape of the car's sides and the lower rear bumper. The result is even greater vehicle stability, with low noise and drag.

06. DRIVE MODE SELECT

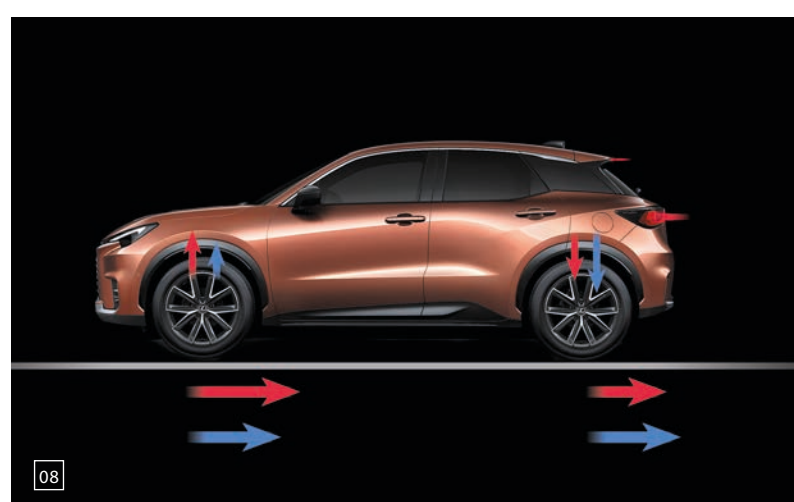
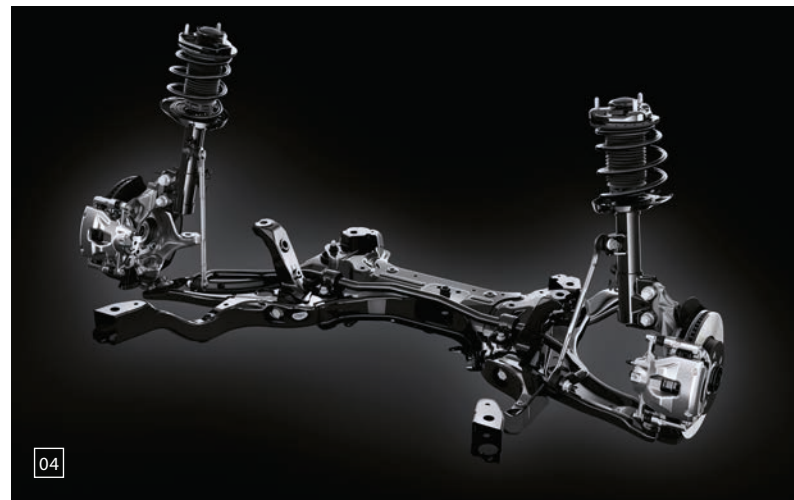
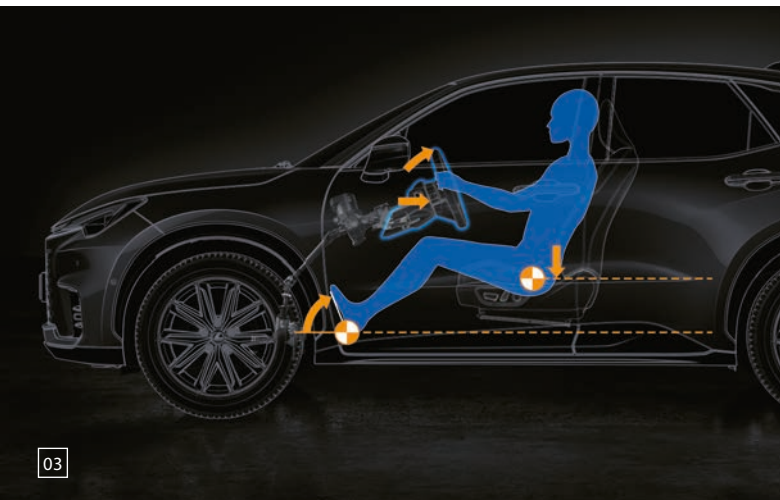
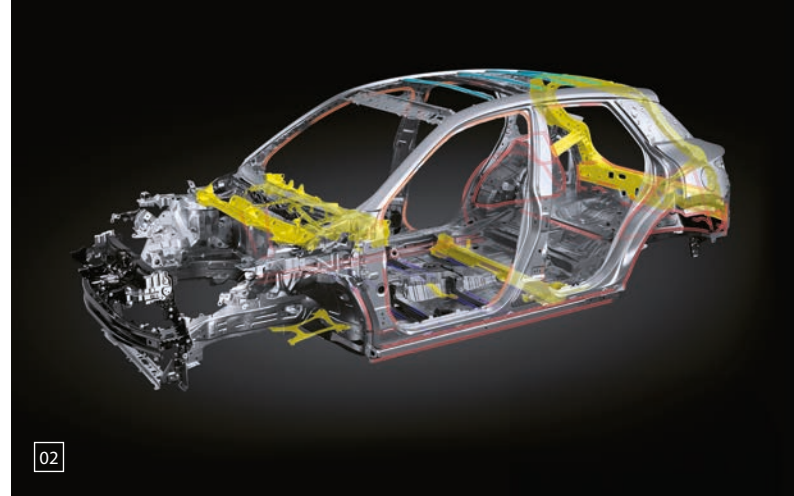
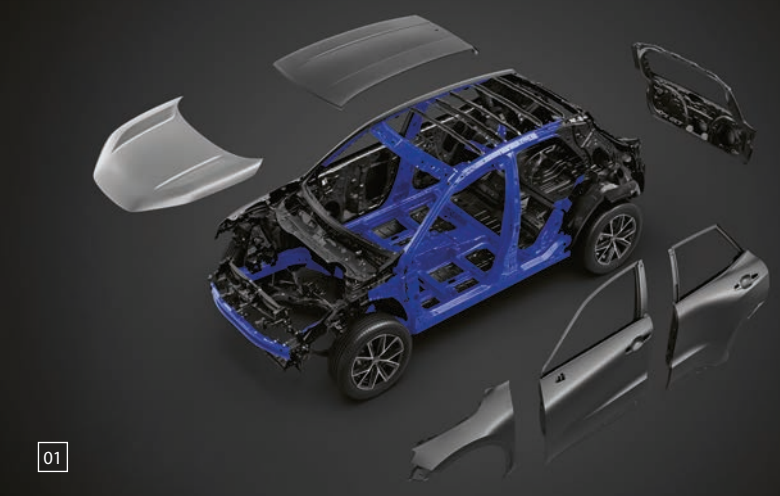
Controlled via the 9.8" touchscreen, Drive Mode Select allows you to maximise your car's efficiency.

07. HILL-START ASSIST CONTROL

Hill-start Assist Control maintains brake pressure to help prevent the LBX from moving backwards when starting off on a slope. Hill-start Assist Control also minimises wheel-spin on slippery inclines.

08. VEHICLE BRAKING POSTURE CONTROL

The LBX's electronically controlled braking system includes Vehicle Braking Posture Control. This automatically balances front and rear brake force distribution to suppress pitching and maintain linear, reassuring performance. It also helps reduce vehicle roll when cornering, keeping the car comfortable and stable and filtering out vibrations.



01. TRUNK PROTECTION ACCESSORIES

SEATBACK PROTECTION

The Seatback Protection protects the back of the seat from dirt and spills when it is folded down to load longer items. The textured surface helps to prevent items from shifting and sliding.

TRUNK LINER

Tailored to fit the boot of your car and provide protection against dirt and spills, the Trunk Liner features a special anti-slip surface pattern to help stop luggage moving.

02. PROTECTION

PROTECTION FILM

Lexus Protection Films provide durable, long-lasting protection against everyday damage to the most vulnerable areas of your LBX. They are highly transparent, protective films, virtually invisible when applied to a vehicle's paintwork.

TRUNK MAT

The premium trunk mat gives you choices for the appearance and protection of your boot space. The mat is tough, practical and easy to clean.

LEATHER FLOOR MAT

Luxurious yet protective black leather and textile car floor mats. Made of sound-absorbing acuvellour, they are shaped for a perfect fit and the driver's mat has dual safety fixings to prevent it slipping.

03. STYLING PACK

The black machined finish and 5-double spoke design create an unmistakable look of urban sophistication.

SIDE SILLS

Contoured to integrate smoothly with the side of your car, Side Sills create an elegant and powerful appearance.

04. TRANSPORT PACK

ROOF RACK

Enjoy extra carrying capacity with this fully lockable aluminium roof rack. Easily installed, it forms a secure base for carrying a wide range of specialized attachments such as the Lexus Roof Box M.

ROOF BOX M

This streamlined storage box adds space for skis, snowboards, or anything else you might want to take with you on holiday. With a key that can't be removed until all locking points are closed and easy access from either side, it's safe and convenient too.

VERTICAL DETACHABLE TOWING HITCH

The vertical detachable towing hitch has a tough anticorrosion surface and is designed so that you can easily attach and remove the tow ball at your leisure.

05. DOG GUARD

The ideal accessory to fit if you regularly carry a dog in your car but don't want it jumping all over the seats as you drive.



01



02



03



04



05

EQUIPMENT | GRADES

EXTERIOR	LBX ¹	ELEGANT ²	EMOTION ²	RELAX ²	COOL ²
Silver plated, unified grille	■	■	■	■	■
Front bumper, Silver ornament	–	■	■	■	■
Chrome grille garnish	■	■	■	■	■
Headlights, single LED	■	■	■	■	■
Manual-levelling headlights	■	■	■	■	■
Daytime running lights (DRL), LED	■	■	■	■	■
Front indicator lights, LED	■	■	■	■	■
Dusk sensor	■	■	■	■	■
Rear fog light, LED	■	■	■	■	■
Acoustic glass, windscreen	■	■	■	■	■
Acoustic glass, front side glass	–	–	–	■	■
Ultra Violet (UV) and heat insulating tinted glass	■	■	■	■	■
Rain sensing windscreen wipers	□	■	■	■	■
Privacy glass	–	–	■	–	■
Black outer mirror cover with black ornament	■	■	■	■	■
Door mirrors, electrically adjustable, heated	■	■	■	■	■
Black resin rocker panel	■	■	■	■	■
Black door belt moulding	■	■	■	■	■
Silver stainless steel moulding, side windows frame	■	■	■	■	■
Rear bumper, Silver ornament	–	■	■	■	■
Rear bumper with hidden exhaust	■	■	■	■	■
WHEELS					
17" alloy wheels, Dark Grey, 225/60 R17 tyres	■	–	–	–	–
18" alloy wheels, Dark Grey with high gloss finish, 225/55 R18 tyres	–	■	–	■	–
18" alloy wheels, Dark Grey with machined finish, 225/55 R18 tyres	–	–	■	–	■

- Available as standard.
- Available as an option.
- Available as part of a pack.
- Not available.

EQUIPMENT | GRADES

ACTIVE SAFETY & DRIVING DYNAMICS	LBX ¹	ELEGANT ²	EMOTION ²	RELAX ²	COOL ²
Acoustic Vehicle Alerting System (AVAS)	■	■	■	■	■
Active brake lights	■	■	■	■	■
Traction Control (TRC)	■	■	■	■	■
Automatic High Beam (AHB)	■	■	■	■	■
Anti-lock Braking System (ABS)	■	■	■	■	■
Dynamic Radar Cruise Control (DRCC), all-speed	■	■	■	■	■
Electric Parking Brake (EPB)	■	■	■	■	■
Electric Power Steering (EPS)	■	■	■	■	■
Electronic Brake-force Distribution (EBD)	■	■	■	■	■
Electronically Controlled Braking-Regeneration (ECB-R)	■	■	■	■	■
Emergency Driving Stop System (EDSS)	■	■	■	■	■
Emergency Steering Assist (ESA)	■	■	■	■	■
EV (Electric Vehicle) mode	■	■	■	■	■
Front pedestrian detection	■	■	■	■	■
Front cyclist detection	■	■	■	■	■
Front motorcyclist detection, daytime only	■	■	■	■	■
Hill-start Assist Control (HAC)	■	■	■	■	■
Intersection Turn Assist (ITA)	■	■	■	■	■
Lane Tracing Assist (LTA)	■	■	■	■	■
Lexus Safety System + ³	■	■	■	■	■
Pre-Collision System (PCS)	■	■	■	■	■
Predictive Efficient Drive ⁴	■	■	■	■	■
Proactive Driving Assist (PDA)	■	■	■	■	■
Road Sign Assist (RSA)	■	■	■	■	■
Speed limiter linked to Road Sign Assist	■	■	■	■	■
Trailer Sway Control	■	■	■	■	■
Tyre Pressure Warning System (TPWS) with Auto location	■	■	■	■	■
Vehicle Stability Control (VSC)	■	■	■	■	■
PASSIVE SAFETY					
Airbags, driver and front passenger	■	■	■	■	■
Front centre airbag	■	■	■	■	■
Knee airbag, driver	■	■	■	■	■
Curtain shield airbags	■	■	■	■	■
Side airbags, driver and front passenger	■	■	■	■	■
Airbag cut-off switch, front passenger	■	■	■	■	■
Audible and visual seatbelts reminder, front and rear seats	■	■	■	■	■
Seatbelt pre-tensioners, front and outer rear seats	■	■	■	■	■
i-Size attachment, outer rear seats	■	■	■	■	■
ISOFIX attachment, outer rear seats	■	■	■	■	■
SECURITY					
Anti-theft system - horn/siren ⁵	■	■	■	■	■
Anti-theft system - immobiliser ⁵	■	■	■	■	■
Anti-theft system - inclination sensor ⁵	■	■	■	■	■
Anti-theft system - intrusion sensor ⁵	■	■	■	■	■
Auto door locking	■	■	■	■	■
Wireless door lock	■	■	■	■	■

¹ LBX atmosphere is offered as of mid 2024, as a FWD model only.

² AWD models are not available in certain markets. Emotion and Cool atmospheres have exclusive bi-tone bodycolours. They are only selectable in monotone with 209 Black Mica bodycolour.

³ Do not use the Lexus Safety System + instead of normal driving under any circumstances and please read the instructions before operating the system. The driver is always responsible for driving safely.

⁴ The feature is part of the Premium Connectivity pack. Premium Connectivity pack is included with Lexus Link Connect for the first 4 years of ownership, and renewable thereafter on a subscription basis.

⁵ Anti-theft systems availability may differ by market.

EQUIPMENT | GRADES

AUDIO, COMMUNICATION & INFORMATION	LBX ¹	ELEGANT ²	EMOTION ²	RELAX ²	COOL ²
7" colour multi-information display	■	■	■	■	■
Digital speedometer	■	■	■	■	■
Lexus Link Connect - 9.8" touchscreen display	■	■	■	■	■
Lexus Link Standard Connectivity	■	■	■	■	■
Lexus Link Premium Connectivity including Cloud-based navigation (4 years) ³	■	■	■	■	■
Bluetooth® mobile phone and audio connectivity	■	■	■	■	■
Smartphone integration (Wireless Apple CarPlay®, Android Auto™)	■	■	■	■	■
6-speaker premium audio system	■	■	■	■	■
Antenna, shark fin design	■	■	■	■	■
Digital Audio Broadcasting (DAB) radio	■	■	■	■	■
USB port (Type-C), front centre console	■	■	■	■	■
USB charging port (Type-C), front centre console	■	■	■	■	■
12V socket, front	■	■	■	■	■
12V socket, luggage compartment	■	■	■	■	■
Emergency Response System (eCall)	■	■	■	■	■
Parking assist monitor with on-screen guides	■	■	■	■	■
Steering wheel mounted controls, audio / display / phone / voice / DRCC / LTA	■	■	■	■	■

SEATS

Fabric upholstery	■	-	-	-	-
Vegan Tahara upholstery	-	■	■	-	-
Leather trimmed Ultrasuede® upholstery	-	-	-	-	■
Semi-aniline leather upholstery	-	-	-	■	-
Satin, Y-shaped embroidery with double stitch on bolsters	-	■	-	-	-
Double-line Tatami stitch with double stitch on bolsters ⁴	-	○	■	-	-
Single-line Tatami stitch with double stitch on bolsters	-	-	-	■	-
Hatched embroidery on seatback, cushion and bolsters	-	-	-	-	■
Sport front seats	-	■	■	■	■
Driving position memory (seat, steering wheel, outer mirrors) - 3 user profiles	-	-	-	■	■
Heated front seats	□	■	■	■	■
6-way manually adjustable driver seat	■	■	■	-	-
8-way electrically adjustable driver seat	-	-	-	■	■
4-way manually adjustable front passenger seat	■	-	-	-	-
6-way manually adjustable front passenger seat	-	■	■	■	■
2-way lumbar support, driver seat	□	■	■	■	■
2-way manually adjustable front headrests	■	■	■	■	■
Manually folding rear seat backrest, 60/40 split	■	■	■	■	■
2-way manually adjustable rear headrests	■	■	■	■	■

- Available as standard.
- Available as an option.
- Available as part of a pack.
- Not available.

EQUIPMENT | GRADES

INTERIOR COMFORT & CONVENIENCE	LBX ¹	ELEGANT ²	EMOTION ²	RELAX ²	COOL ²
3-spoke, Tahara trimmed steering wheel	■	■	■	–	–
3-spoke, leather trimmed steering wheel	–	–	–	■	■
Heated steering wheel ⁵	□	□	□	■	■
Paddle-shift controls	–	–	–	■	■
Instrument panel, fabric	■	–	–	–	–
Instrument panel, Tahara	–	■	■	■	–
Instrument panel, suede fabric	–	–	–	–	■
Easy entry and exit function, driver seat retracts/returns	–	–	–	■	■
Illuminated entry system	■	■	■	■	■
Single-colour ambient lighting	–	■	■	–	–
Multi-colour ambient lighting (64 colours)	–	–	–	■	■
Electrically operated windows with one-touch control	■	■	■	■	■
e-Latch door lock system	■	■	■	■	■
Door panel finish, fabric	■	–	–	–	–
Door panel finish, Tahara	–	■	■	■	–
Door panel finish, suede fabric	–	–	–	–	■
Automatic air recirculation control	■	■	■	■	■
Clean air filter with pollen removal and deodoriser	■	■	■	■	■
Electronic climate control, 2-zone	■	■	■	■	■
Remote climate control	■	■	■	■	■
Windscreen de-icer ⁵	□	□	□	■	■
Front centre console, Gloss Black	■	–	–	–	–
Front centre console, Wood Grain finish	–	■	■	■	■
Door inlays, Gloss Black	■	–	–	–	–
Door inlays, Satin Paint	–	■	■	■	■
Tahara trimmed gearshift knob	■	■	■	–	–
Leather trimmed gearshift knob	–	–	–	■	■
Smart key	■	■	■	■	■
Resin scuff plates with LEXUS inscription, front doors	■	–	–	–	–
Resin scuff plates with metal insert, LEXUS inscription, front doors	–	■	■	■	■
Fabric upholstery, front centre armrest	■	–	–	–	–
Tahara upholstery, front centre armrest	–	■	■	■	–
Ultrasuede [®] upholstery, front centre armrest	–	–	–	–	■
Cup holders, front	■	■	■	■	■
Storage box, front centre armrest	■	■	■	■	■
Luggage cover board, manually folding	■	■	■	■	■
Tyre repair kit	■	■	■	■	■

¹ LBX atmosphere is offered as of mid 2024, as a FWD model only.

² AWD models are not available in certain markets. Emotion and Cool atmospheres have exclusive bi-tone bodycolours. They're only selectable in monotone with 209 Black Mica bodycolour.

³ The feature is part of the Premium Connectivity pack. Premium Connectivity pack is included with Lexus Link Connect for the first 4 years of ownership, and renewable thereafter on a subscription basis.

⁴ Double-line Tatami stitch seat ornament is selectable only with EA20 Black Tahara upholstery.

⁵ Cold area package is equipped together with heated steering wheel and windscreen de-icer. Depending the region, cold area package is standard on all models, standard above LBX atmosphere, or it is standard included with Premium pack and in Relax and Cool atmospheres.

PACKS

Comfort pack

- 2 USB charging ports (Type-C), front centre console
- 2 USB charging ports (Type-C), rear centre console
- 2-way lumbar support, driver seat
- Door mirrors, electrically auto-folding
- Heated front seats
- Rain sensing windscreen wipers
- Wireless smartphone charger

Safety pack

- contents of the Comfort pack
- Automatic Rear Flashing Hazard Lights (ARFHL)
- Blind Spot Monitor (BSM) with Rear Cross Traffic Alert and Braking (RCTAB)
- Door mirrors, reverse tilt function
- Driver Monitoring System
- Driver's door mirror, electro chromatic (auto-dimming)
- Intelligent parking assist sensors, front and rear
- Rear pedestrian detection
- Rear-view mirror, electro chromatic (auto-dimming)
- Safe Exit Assist (SEA)
- Smart entry and start system²

¹ LBX atmosphere is offered as of mid 2024, as a FWD model only.

² Smart entry is not available in certain markets.

PACKS

Tech pack²

contents of the Comfort and Safety packs

12.3" Tazuna cockpit

Digital speedometer, high-definition display

Electronic climate control with nanoe™ X technology³

Smart entry and start system⁴

Tailgate, electric lift and close with height memory function

Premium pack⁵

contents of the Comfort, Safety, and Tech packs

Adaptive High-beam System (AHS)

Auto-levelling headlights, dynamic

Cornering lights, LED

Front fog lights, LED

Smart digital key⁶

Advanced pack⁷

contents of the Comfort, Safety, Tech, and Premium packs

13-speaker Mark Levinson® Premium Surround Sound System

Active Noise Control (ANC)

Advanced Park with Remote Park⁸

Engine Sound Enhancement (ESE)

Front Cross Traffic Alert (FCTA)

Lane Change Assist (LCA)

Panoramic View Monitor (PVM)

Steering wheel mounted customizable touch controls

Head-Up Display (HUD)

¹ AWD models are not available in certain markets. Emotion and Cool atmospheres have exclusive bi-tone bodycolours.

² In certain markets the Tech pack is standard on AWD vehicles, the content of the Safety pack is standard in Elegant, Emotion, Relax and Cool atmospheres, or standard in Relax and Cool grades and mandatory with the Tech pack selected.

³ Equipment not offered in certain markets.

⁴ Smart entry is standard on Elegant, Emotion, Relax and Cool atmospheres in certain markets.

⁵ Premium pack includes the Cold area pack in certain markets. Premium pack is standard on AWD models in Elegant and Emotion atmospheres in certain markets.

⁶ Feature availability and vehicle specification may vary among models, grades and according to market availability.

⁷ Advanced pack is not available in certain markets.

⁸ Remote Park is not available in certain markets.

TECHNICAL DATA

ENGINE	LBX FWD (AWD)
Capacity (cm ³)	1490
Cylinders / Valves	L3 / 12
Maximum power (DIN hp @ rpm)	91 @ 5500
Maximum power (kW @ rpm)	67 @ 5500
Maximum torque (Nm @ rpm)	120 @ 3600 - 4800
ELECTRIC MOTOR	
Type	AC synchronous, permanent magnet / – (AC synchronous, permanent magnet / Asynchronous, induction)
Maximum power (DIN hp) front / rear	94 / – (94 / 6.4)
Maximum power (kW) front / rear	69 / – (69 / 4.7)
Maximum torque (Nm) front / rear	185 / – (185 / 52)
TRANSMISSION	
Type	Continuously Variable Transmission
Drive	Front-Wheel Drive (E-FOUR)
TOTAL SYSTEM OUTPUT¹	
Total power (DIN hp)	136
Total power (kW)	100
PERFORMANCE	
Maximum speed (km/h)	170
Acceleration 0-100 km/h (s)	9.2 (9.6)
FUEL CONSUMPTION² (l/100 km)	
Combined	4.7 - 4.4 (5.0 - 4.6)
CO₂ EMISSIONS² (g/km)	
Combined	107 - 100 (113 - 105)
EMISSION STANDARD²	
Euro Class	EURO 6e
WEIGHTS (kg)	
Gross vehicle	1755 (1820)
Kerb weight (min. - max.)	1280 - 1350 (1365 - 1415)
CAPACITIES	
Luggage volume - rear seats upright ³ (l)	332 / 330 (255 / 253)
Luggage volume - rear seats folded ³ (l)	994 / 992
Fuel tank capacity (l)	36
Towing capacity max. unbraked ⁴ (kg)	650
Towing capacity max. braked ⁴ (kg)	750

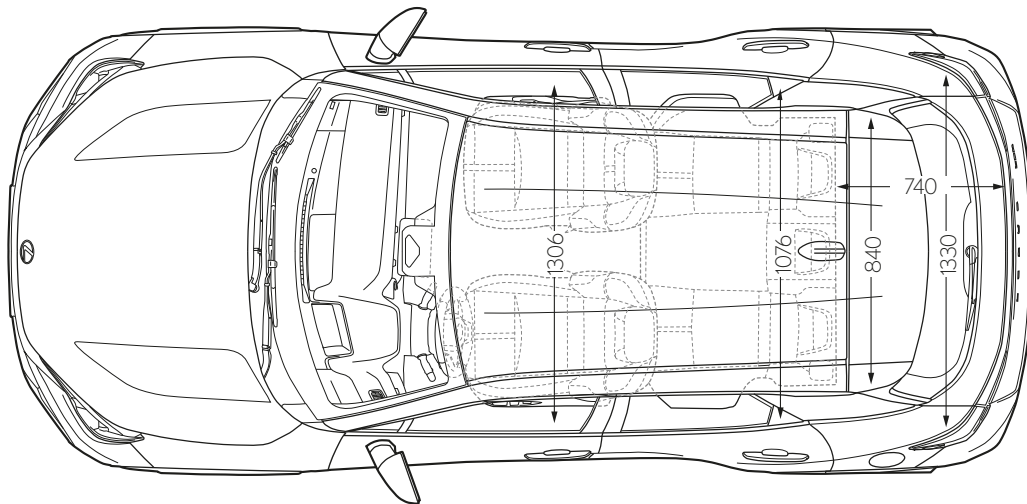
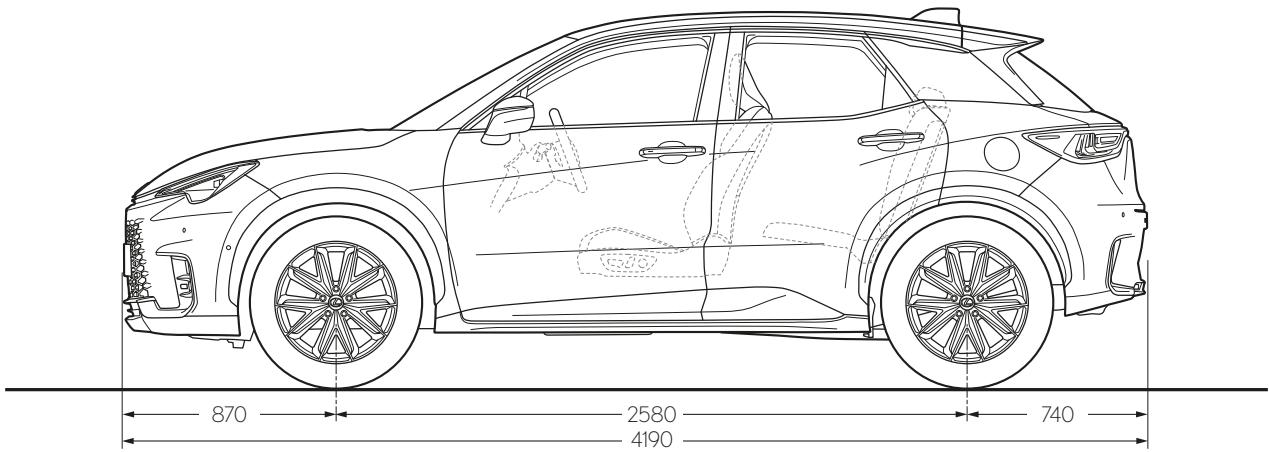
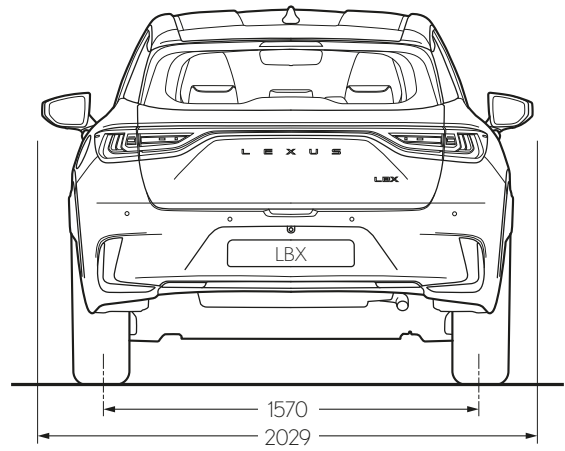
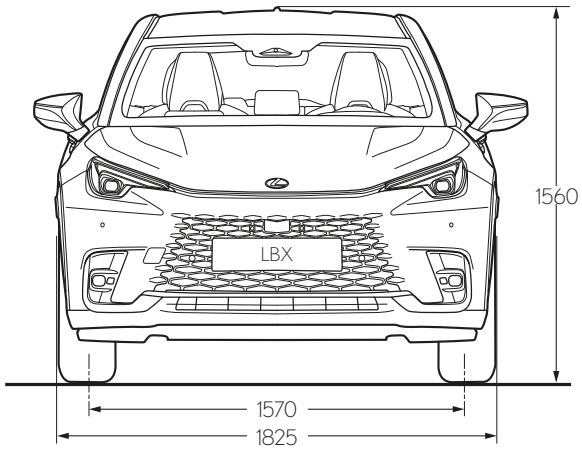
¹ Combined engine and electric motor(s).

² The fuel consumption and CO₂ values are measured in a controlled environment on a representative production model, in accordance with the requirements of the new WLTP European Regulation EC 2017/1151 and its applicable amendments. For each individual vehicle configuration, the final fuel consumption and CO₂ values may be calculated based on the ordered optional equipment. The fuel consumption and CO₂ values of your vehicle may vary from those measured or calculated values, as driving behaviour as well as other factors (such as road conditions, traffic, vehicle condition, tyre pressure, load, number of passengers, etc.) have an influence on a car's fuel consumption and CO₂ emissions. For more information regarding the new WLTP test method, please visit: www.lexus.eu/wltp#nedc

³ Luggage volume figures are as per the VDA method. All figures quoted include the maximum under floor storage area in the luggage compartment. The luggage room capacity differs by specification. The first figure shown is for models equipped with 6-speaker audio system, the second figure with 13-speaker Mark Levinson® audio system. The AWD model's figures apply for all models in markets where spare tyres are equipped.

⁴ Towing capacity does not include tow-bar or other towing equipment as standard.

TECHNICAL DATA



Please note: the dimensions illustrated above are measured in millimetres.

BE OUR GUEST

HOW WE TREAT OUR CUSTOMERS IS GUIDED BY AN ANCIENT JAPANESE PHILOSOPHY OF HOSPITALITY.

Translated from the Japanese as 'hospitality and polite service', Omotenashi is about much more than excellence of service; it is an ancient concept centred around anticipating the needs of another, even before they arise. Omotenashi influences how we design and engineer our cars at Lexus, and equally how we treat you, the Lexus owner. Not just at the point of sale but over the life of your car. We want you to feel valued in every interaction you have with us. To feel more than a customer.

Whether as a private or fleet driver, you'll experience Omotenashi each time you visit our showrooms. In the warm reception on hand from friendly staff intent on welcoming you as if you were a guest in their home. In the inviting atmosphere and impressive facilities of the lounge, where you can avail of refreshments, catch up on news, enjoy high-speed Internet or carry on with your work. And in the knowledge that our Lexus technicians are working with precision and efficiency to get you back on the road with minimum interruption to your day.

PEACE OF MIND WITH LEXUS RELAX*

Lexus Relax provides you with complete peace of mind even after your manufacturer's warranty expires. Drive away carefree with an extra 12 months warranty every year you service your Lexus with us.

LEXUS EASY MOBILITY SOLUTION*

From financing to insurance, maintenance and even tyres, the Lexus Easy flexible mobility solution is the easy way to drive and look after a Lexus.

It's not only cars that make Lexus unique. It's the philosophy which permeates everything we do and which extends to an ownership experience that makes you feel special. Just as a guest should.

* Lexus Relax and Lexus Easy are not available for all markets.
Please enquire at your local Lexus Authorised Retailer.





DISCOVER MORE ONLINE

Find out more about the LBX and even reserve your car online. Take time to explore which equipment grade best suits your lifestyle, learn about our world-class service and finance offerings and sign up to our regular newsletter. If you're interested in how the LBX feels to drive, you can also book a test drive online with your local Lexus Retailer.

<http://www.lexus.eu/lbx>

©2023 Lexus Europe* reserves the right to alter any details of specifications and equipment without notice. Details of specifications and equipment are also subject to change to suit local conditions and requirements. Please enquire at your local Lexus Authorised Retailer of any such changes that might be required for your area.

Note: vehicles pictured and specifications detailed in this brochure may vary from models and equipment available in your area. Vehicle body colour might differ slightly from the printed photos in this brochure.

For further information please visit our website: www.lexus.eu

Taking care of the environment is a priority for Lexus. We take many measures to ensure that during the lifecycles of our vehicles - from design, production, distribution, sales and service to end-of-life - their environmental impact is minimised. Your retailer will be happy to provide more information on end-of-life vehicle requirements.

* Lexus Europe is a division of Toyota Motor Europe NV/SA.

Printed in Europe, December 2023

 **LEXUS**
EXPERIENCE AMAZING